

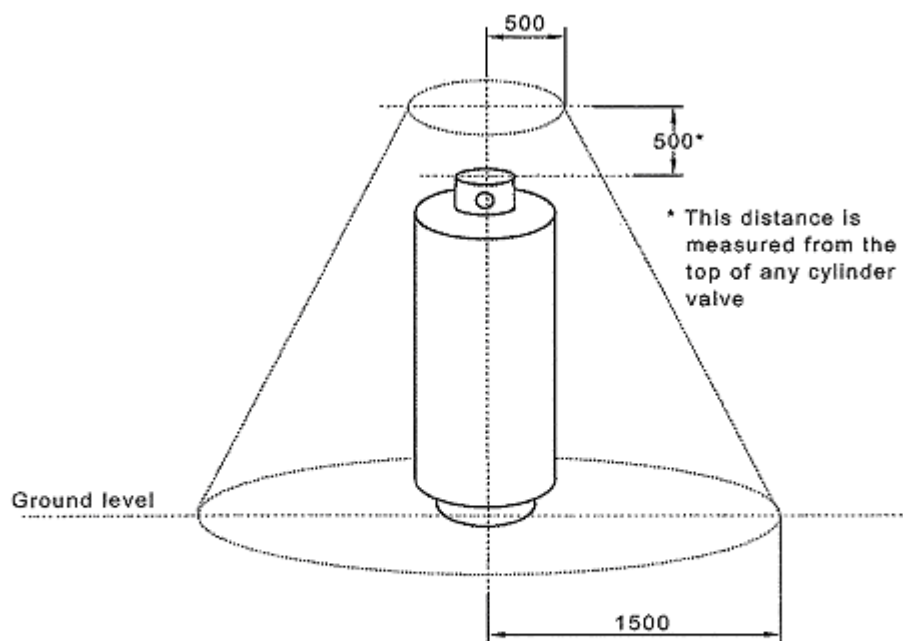


Gas fitters & Air Conditioning Installers

Please Note

To clarify the illustration on page six, this is not for ignition clearances but for minimum clearances to a drain or openings into a building or caravan. See diagram below for ignition source clearances.

LP Gas Cylinder Exchange Ignition Safety Zone



Ignition source not to be within the encompassed area

Minimum clearance to ignition sources

No electrical appliance, switch, lighting or electrical outlets are allowed within the hazardous area. This includes air conditioning units, heat pumps, ventilation fans, any gas appliance that uses a pilot light and other items such as outdoor lighting, and pool pumps. Refer AS 5601-2004, AS 1596-2008, AS/NZS 3000-2007.

With the upcoming summer months, Energy**Safety** inspectors will be enforcing this requirement. Any non-compliances identified in relation to any ignition source placed within this zone may attract an infringement notice.